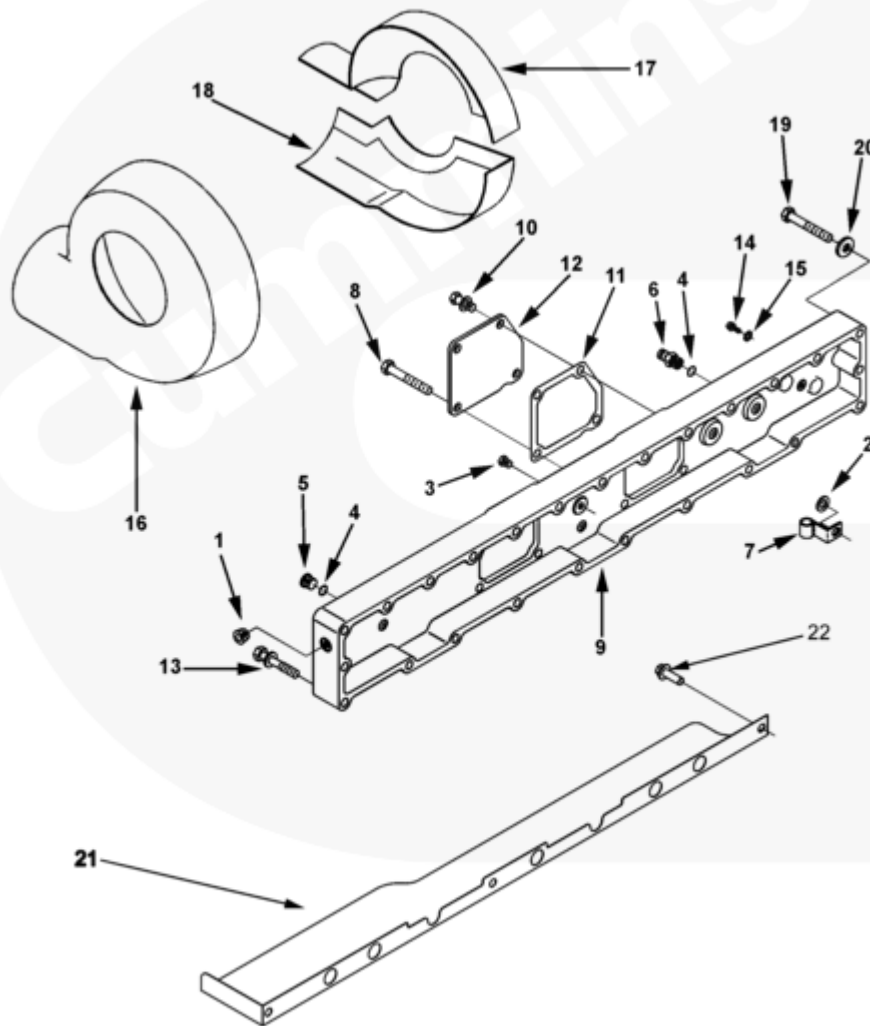




# Parts Catalog - Option Detail

Electronic Parts Catalog - Option Detail				
Option	Group	Graphic	Film Card	Date
TB2259-06	10.01	tb210gt	II	27-JAN-03
<b>Engines</b>	ISM CM570, ISM CM570/870, ISM CM875, ISM CM876, ISM CM876 E, ISM11 CM876 M103, ISM11 CM876 SN, M11 CELECT, M11 CELECT PLUS, M11 MECHANICAL, QSM11 CM570, QSM11 CM876			

©Cummins Inc



tb210gt

[SMALL](#) | [MEDIUM](#) | [LARGE](#)

Cart	Ref No	Part Number	Part Description	Required	Remarks
<a href="#">View My Cart</a>					
		TB2259-06	Turbocharger Arrangement		

					Turbocharger Arrangement
					Turbo Loc: Rear Mount
					Int Man Compuchek: Rear
					Mount
					Turbo C/L Vert From Crank
					C/L: 510.14mm (20.08")
					Turbo Horiz C/L (ref RFOB):
					141.00mm (5.55")
					Engine Aspiration: Sea Water
					Aftercooled
					Front Lifting Brkt Loc: Front
					of Air Int Manf
					Air Cleaner Mgt Provision:
					Yes
					Int Man Temp Sensor Loc:
					Center
					Turbo Oil Supply Line Type:
					O Ring Face Seal
					Turbo Mtg flange Bolt Circle
					Dia: 132.75mm (5.23")
					Heat Shield Included: Yes
					Insulated Turbine Housing
<input type="checkbox"/>	1	3008468	Pipe Plug	1	1/2 NPT.
<input type="checkbox"/>	2	3009330	Plain Washer	2	M10.
<input type="checkbox"/>	3	3031511	Pipe Plug	1	1/8 NPT
<input type="checkbox"/>		3037536	Threaded Plug	5	9/16 - 18 UNF
<input type="checkbox"/>	4	3037537	O-Ring Seal	1	
	5	3040813	Threaded Plug	1	9/16 - 18 UNF

<input type="checkbox"/>		<a href="#">3042619</a>	Coupling Nipple	1	
<input type="checkbox"/>	4	<a href="#">3037537</a>	O-Ring Seal	1	
	6	<a href="#">3042620</a>	Coupling Nipple	1	
<input type="checkbox"/>	7	<a href="#">3073750</a>	Clip	1	
<input type="checkbox"/>	8	<a href="#">3081346</a>	Hexagon Head Cap Screw	2	M10 x 1.50 x 70.
<input type="checkbox"/>	9	<a href="#">3406757</a>	Air Intake Manifold	1	
<input type="checkbox"/>	10	<a href="#">3818060</a>	Captive Washer Cap Screw	2	M10 x 1.50 x 25
<input type="checkbox"/>	11	<a href="#">3818846</a>	Connection Gasket	2	
<input type="checkbox"/>	12	<a href="#">3028540</a>	Cover Plate	1	
<input type="checkbox"/>	13	<a href="#">3821847</a>	Captive Washer Cap Screw	16	M10 x 1.50 x 60
<input type="checkbox"/>	14	<a href="#">3900627</a>	Hexagon Flange Head Cap Screw	1	M6 X 1.00 X 14.
<input type="checkbox"/>	15	<a href="#">112408</a>	Plain Washer	1	1/4 in.
<input type="checkbox"/>	16	<a href="#">4003592</a>	Heat Shield	1	
<input type="checkbox"/>	17	<a href="#">4003593</a>	Heat Shield	1	
<input type="checkbox"/>	18	<a href="#">4003594</a>	Heat Shield	1	
<input type="checkbox"/>	19	<a href="#">3088162</a>	Hexagon Head Cap Screw	2	M10 x 1.50 x 60
<input type="checkbox"/>	20	<a href="#">3036460</a>	Spring Washer	2	
<input type="checkbox"/>	21	<a href="#">3965080</a>	Heat Shield	1	
<input type="checkbox"/>	22	<a href="#">3393717</a>	Hexagon Flange Head Cap Screw	3	M10 x 1.50 x 30